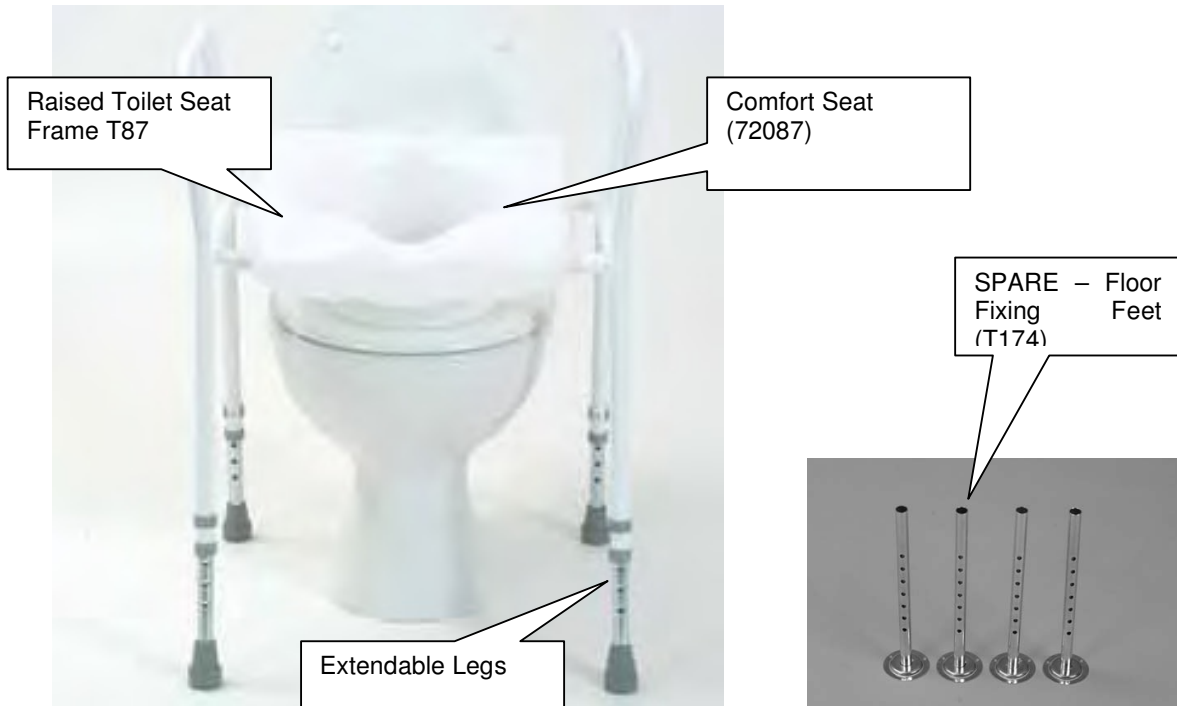


User Instruction for the Raised Toilet Seat Frame With Comfort Seat T87



1. Introduction

This Raised Toilet Seat Frame supports clients to give them confidence as they sit and rise – it offers support and lessening of strain. The height is adjustable to cater for varying patients requirements. The easy clip on/off seat makes it easy to fit/remove and the partial cutaway provides easy access for personal cleansing. This product is suitable for intensive cleaning.

Product Dimensions	
Toilet seat height (from-to)	470mm-620mm
Width between arms	520mm
Toilet seat depth	393mm
Seat to top of arms	191mm
Seat to top of back	400mm
Footprint	520mm x 482mm

2. Contents of the Box

- Raised Toilet Seat Frame (T87)
- Comfort Seat (72087)
- Extended Legs & Pin Clips
- User Instructions (this leaflet)

3. Assembly Instructions

- Carefully unpack and examine the product to ensure it is complete.
- Before use check for any signs of damage e.g. cracked weld, flaking of paint, bent tube. If any signs occur please contact your supplier to exchange and refrain from using the product. **DO NOT ATTEMPT TO USE IF PRODUCT IS DAMAGED.**

User Instruction for the Raised Toilet Seat Frame With Comfort Seat T87

Floor Fixing Feet:

- Referring to the diagram above, remove the pin clips from each of the 4 legs and remove the extension legs completely.
- Fit the 4 Floor Fixing Feet to the product and replace the pin clips - ensure the Fixing feet are set at the same height.
- Position the product exactly where required, and ensuring it is not moved, mark out the 3 hole positions for each of the Floor Fixing Feet.
- Remove the product and using a drill bit of the type and size appropriate to the underlying floor material and whether plastic inserts are required. Drill each hole to the depth necessary dependent upon the use of plastic inserts and type of screws to be used. - If in doubt seek advice from professionals
- Remove any debris, and if required fit plastic inserts ensuring they are flush to the surface.
- Using screws of the appropriate type and size, secure the product to the floor ensuring screws are fitted to all of the 12 holes in the Floor Fixing Feet.

4. Correct Use

Adjustable Height:

- Remove the pin clips from the legs.
- Select the desired height of the frame by gently sliding out each extension leg from the frame - NOTE this is a telescopic action.
- When desired height is obtained refit the pin clips into the appropriate hole ensuring pin clips goes through each leg and its extension leg and that all legs are set to the same height.
- The frame is now ready for use.

5. Cleaning

- Use mild detergent with warm water to wipe down framework on at least a weekly basis more frequently if required.
- Do not use an abrasive cleaner as this will damage the frame and nullify your warranty.
- Pay particular attention to the hinges and abutments.

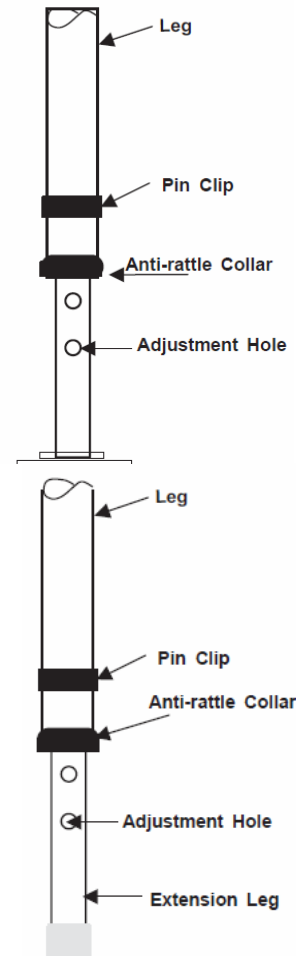
Use of power/jet washing & industrial washing machines:

- If either of the above is used to clean equipment care must be taken since high-pressure water can be penetrative.
- Care should be taken that frames are not placed too close to high-pressure water jets.
- After cleaning ensure any residual water is removed from the framework as it could cause permanent rusting of the frame (leave frames open in a warm environment for several hours to ensure all internal moisture evaporates).
- We cannot offer advice on industrial washing machines with regards to specific machine settings, as these will be dependant on the manufacturer's instructions.

6. Maintenance Requirements

The product should be checked on a regular basis for damage or wear and tear – this includes flaking or cracking paint. Any undue signs of damage should be noted and reported to the supplier in the first instance. Should damage be evident, then the user should refrain from using the product until advice has been sought from the supplier.

7. Warning



User Instruction for the Raised Toilet Seat Frame With Comfort Seat T87

- This product is intended for users of a maximum of 125kg/25stone in weight.
- We recommend a full risk assessment should be carried out before use.

It is advised that when fitting Floor Fixing Feet careful consideration be given to:

- Where the product is to be precisely located (once fitted it will be difficult to move).
- The underlying floor material to which the fixing feet are to be attached (e.g. concrete or floorboards), and the most appropriate fastening method.
- The possible location of under floor pipes or cables.
- If in doubt seek advice from professionals.

8. Warranty

This product carries a 12 month warranty from the date of purchase against manufacturing defects. Misuse or damage is not covered. This warranty does not affect your statutory rights. As manufacturers we cannot specify expected product life as this is based on the level of usage.

9. Disposal Instructions

- Appropriate hygiene standards should be applied before disposal to reduce the risk of infection.
- Materials used are essentially non hazardous and can be disposed of appropriately.

10. Contact Details

We have attempted to cover most eventualities, however if you have any specific queries, please contact:

Cefndy Healthcare
Cefndy Road
Rhyl
Denbighshire
LL18 2HG
Tel: 0044 1745 343877 (Quality Assurance Dept)
E-mail: cefndyengineering@denbighshire.gov.uk
